

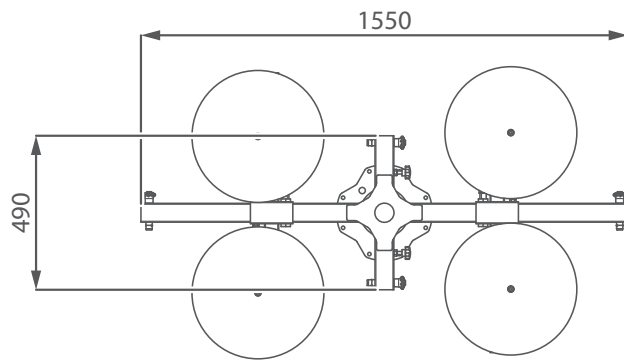
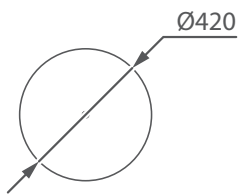
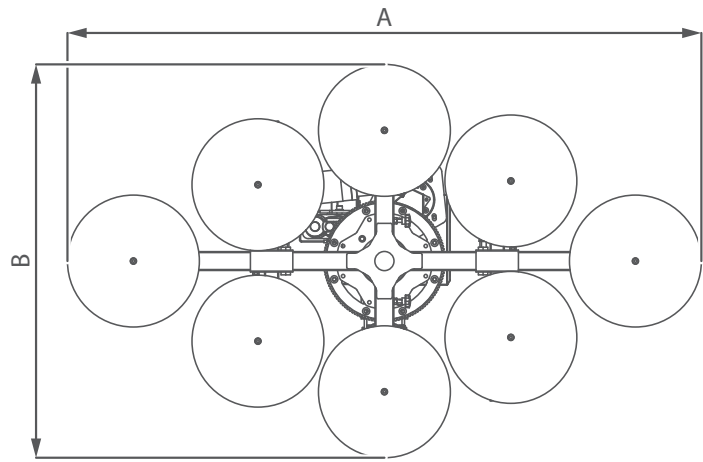
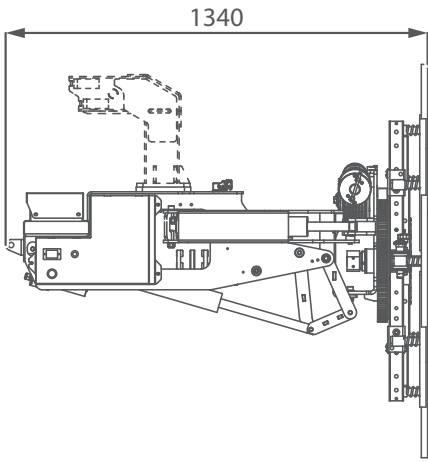


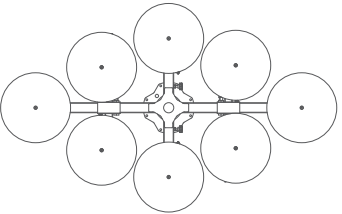
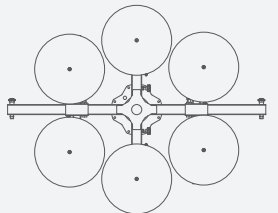
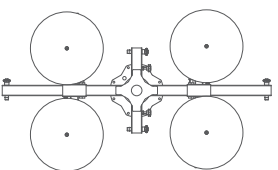
# Technical Data

Specification & Capacities

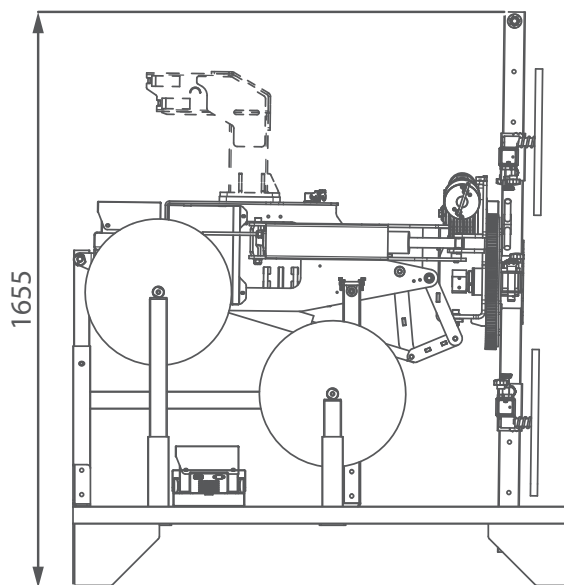
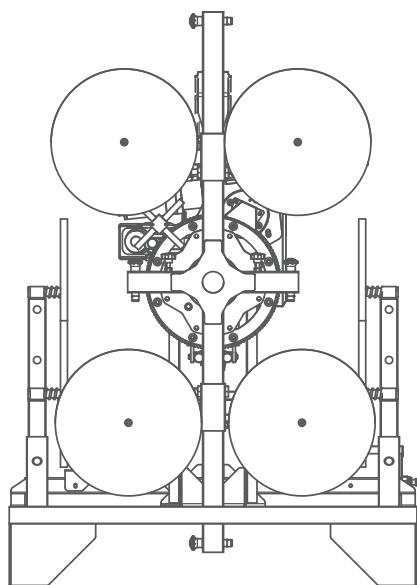
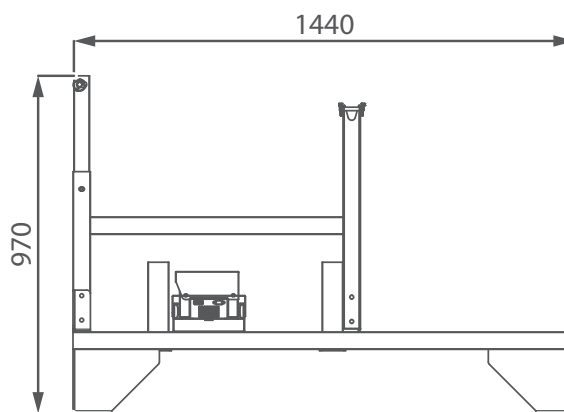
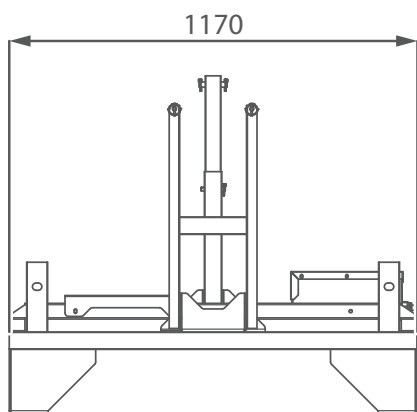
# JVM800-R

## OVERALL DIMENSIONS JVM800-R








Configuration	Pads	Dim.	Minimum Pane Dimensions		Lifting capacity
			min [mm]	MAX [mm]	kg
	8	A	2020	2900	800
		B	1250	1250	
	6	A	1230	1800	600
		B	1250	1250	
	4	A	1230	1800	400
		B	920	1200	

## OVERALL DIMENSIONS JVM800-R ON TRANSPORT TRAY

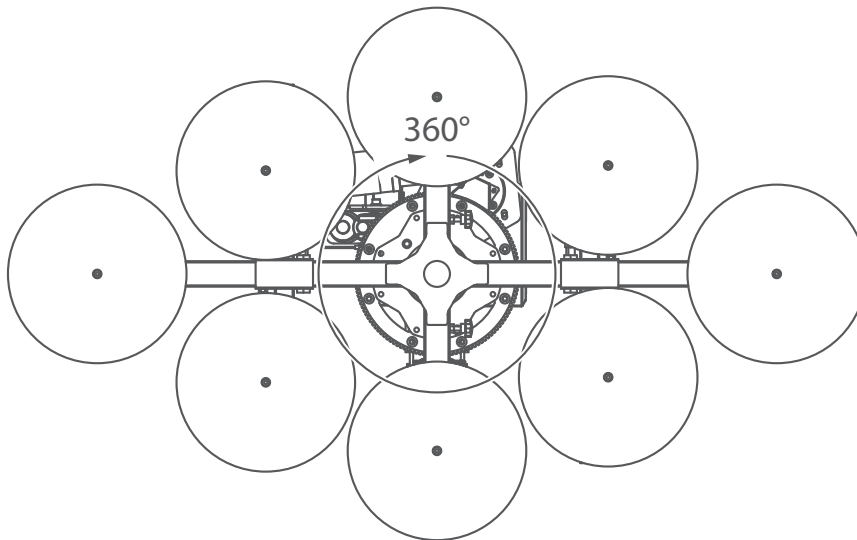


## OVERALL INFORMATION

WEIGHTS		Name/ version	kg	
		JVM800 (4 pads) with remote	JVM800-R	220
		Extra pad	Single position pad with support	5,5
		Four position pad with support	6,5	

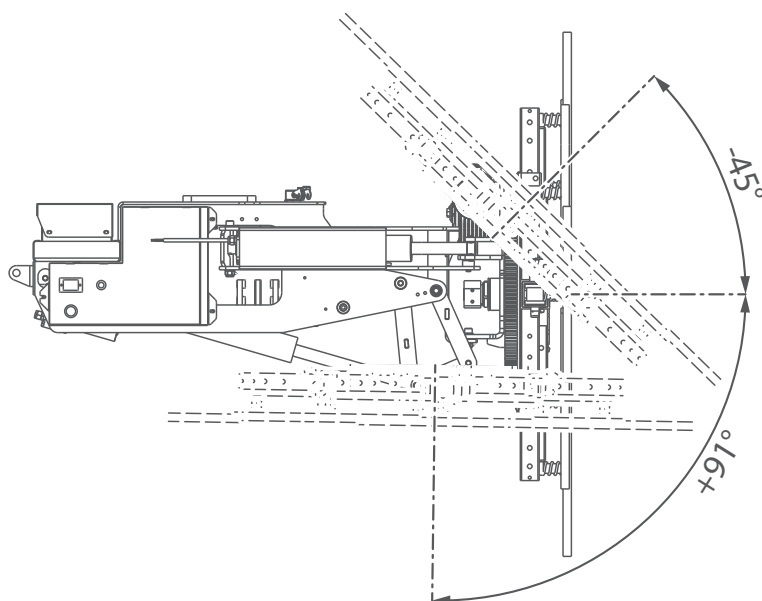
ELECTRIC		Lead Battery	24V 14,4 Ah	
	MOVEMENTS		Tilt	+45° / -91°
		Swing	+45° / -45°	
		Rotation	360°	
CAPACITY		Maximum Capacity	100 kg per pad	Max: 800 kg

## MOVEMENTS ROTATION



## MOVEMENTS

### TILT



### SWING

