

# SPX650 Main Features



## X-PATTERN OUTRIGGERS

With double extension and endless operating configurations.



## EXTENDABLE TRACKS

To enhance crane stability.



## 1.2 ton HYDRAULIC JIB

1.2 ton hydraulic jib with rest position under the main boom.

## AUTOMATIC POWER MODALITY

According to the lifted load it adjusts speed, maximum supplied power and engine performance.



## J-CONNECT

Software developed by Jekko in order to improve remote service assistance and to have a general overview of the crane thanks to a real time connection with the machine



## ADDITIONAL ELECTRIC ENGINE

Possibility of working indoor silently and without any kind of emission



## 2 ton RUNNER JIB

Stored on board.



## ROTATION WITHIN THE REDUCED STABILIZATION AREA

2900x2900 mm



## PICK & CARRY

## MULTIPLE STABILITY AREAS

Intuitively displayed on the remote control's screen



**JEKKO**  
SPX650



Jekko srl  
Via Campardone, 1 - 31014 Colle Umberto (TV) Italy  
info@jekko.it - www.jekko-cranes.com

Product Catalog

# SPX650

MAX 5000 kg

LxWxH 4460 x 980 x 2020 mm

max 23,5 m with jib

max 20 m with jib

The multifaced 5 ton mini crane which embodies all the latest major innovations engineered by Jekko.



## Technical Information

Dimensions	LxWxH	4460 x 980 x 2020 mm
Sub Area	Min	2900 x 2900 mm
	Max	4500 x 4500 mm

Crane & Options Weights		Kg
	SPX650	5700
	Winch	80
	Single fall	20
	2-3 falls	20
	4-6 falls	30
	Outriggers	30
	Mats	30
	Tool Boxes	20
	Hydraulic Jib	480
	Runner Jib	50

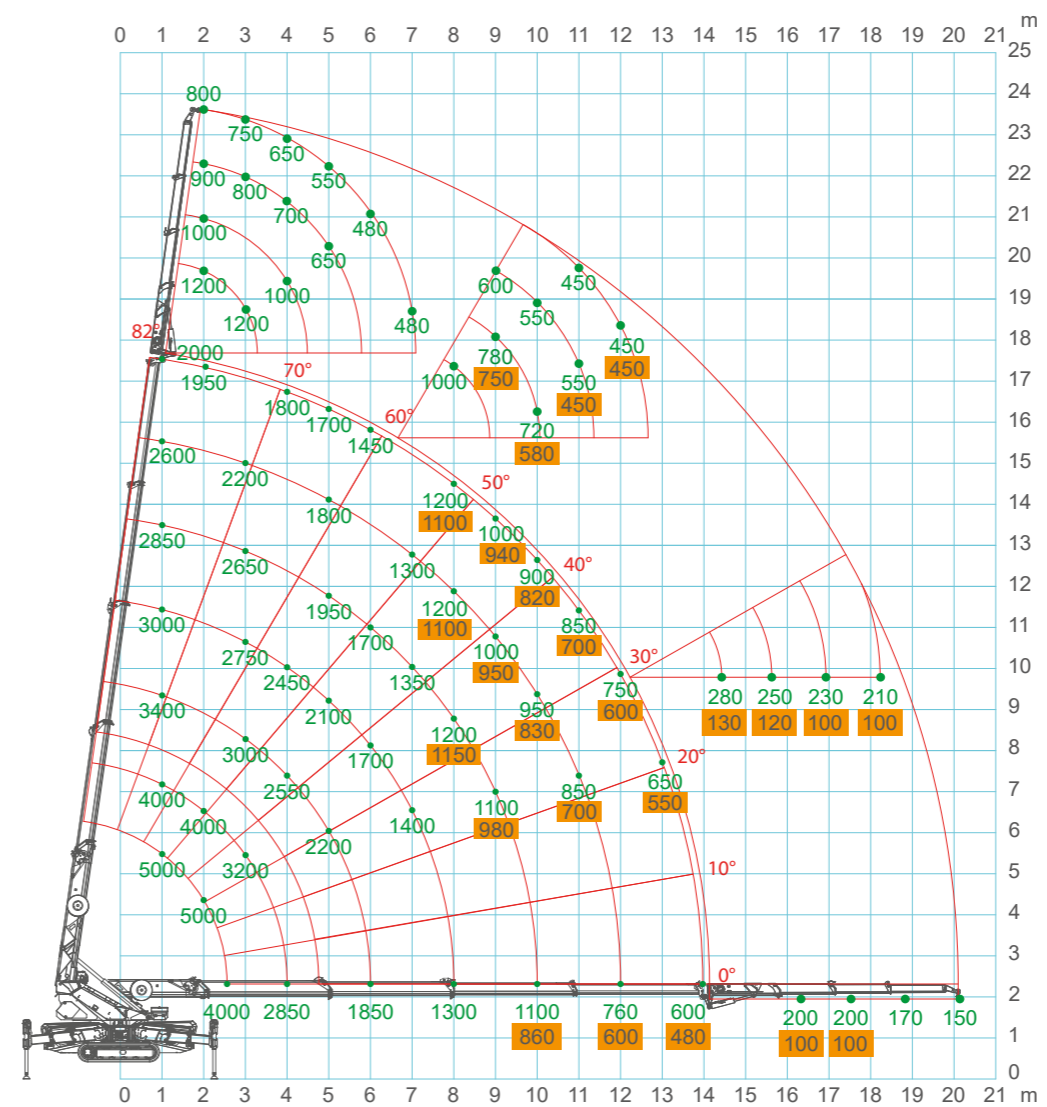
SPX650	KUBOTA D902-E4B	16,1kW 22HP
	Mono-phase	220V - 4kW / 220V - 4kW
	Three-phase	400V - 5.5kW / 230V - 5.5kW

Speed		2.9 km/h
Gradeability		20° (36%)

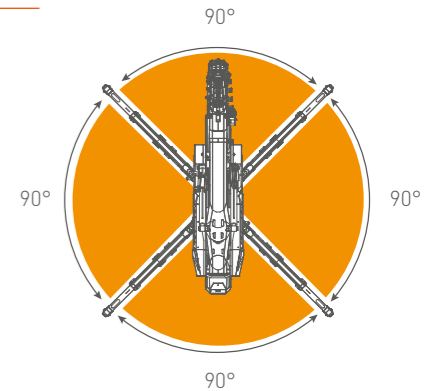


**Loading Point**  
MAX 4800 kg

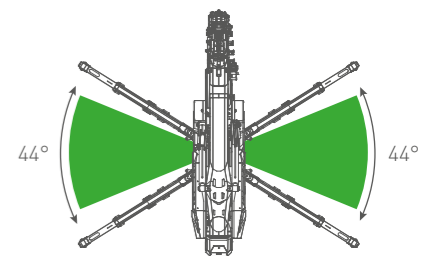
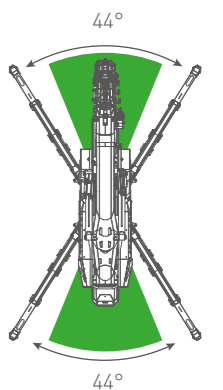
## Load Chart



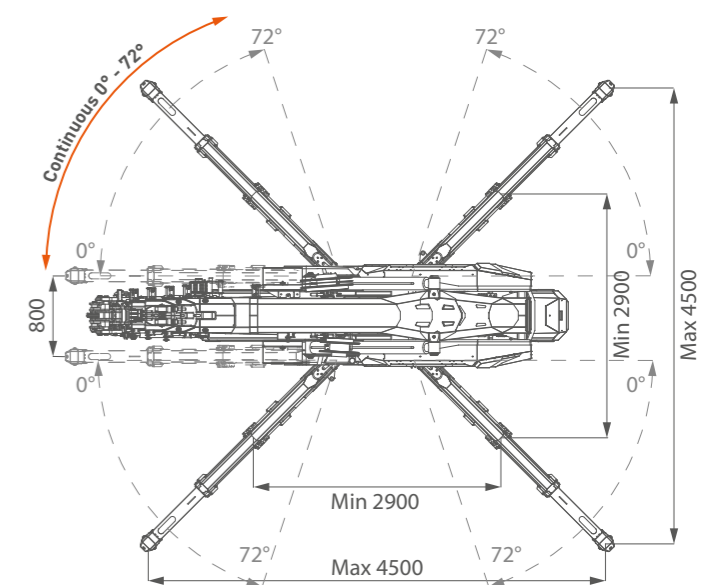
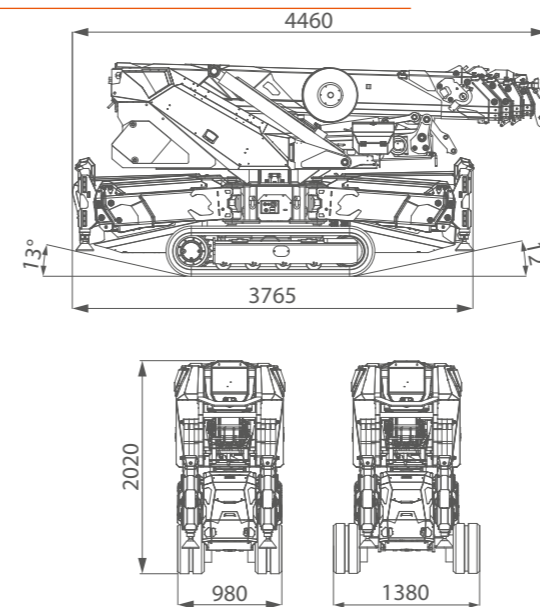
STANDARD CONDITIONS WITH 360° CONTINUOUS ROTATION



EXTRA PERFORMANCE IN REDUCED FOOTPRINT



## Dimensions & Footprint



## Crane Options

**CRANE OPTIONS**

- YOUR COMPANY
- HA-SPX650
- VAI
- WUK-03.1
- ARTIC-OIL-650
- 2T-D8
- WT-650

**ATTACHMENTS & TOOLS**

- JIB2000GX
- JIB1200.3HX
- TK-JIB1200

**ELECTRIC POWER PACK**

- PP220-4.B
- PP400-6.B
- PP230-6.B

**J-CONNECT**

- J-CON
- J-CON-Y2
- J-CON-NW
- 3YW-650

All specifications and features herein described can be changed without prior advice. All indicated data are indicative only and are not binding as crane performs differently depending on its use.